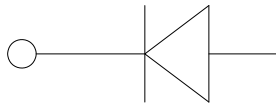
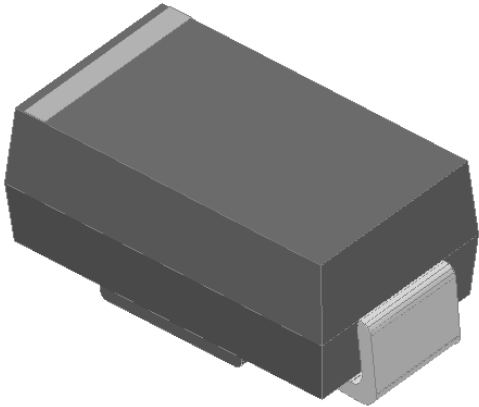




Small Signal Schottky Rectifier



Features

- Low profile package
- Ideal for automated placement
- Guardring for overvoltage protection
- Low power losses, high efficiency
- High forward surge capability
- Meets MSL level 1, per J-STD-020, LF maximum peak of 260 °C
- Part no. with suffix "Q" means AEC-Q101 qualified

Typical Applications

For use in low voltage high frequency inverters, freewheeling, DC/DC converters, automotive and polarity protection applications.

Mechanical Data

- Package:** DO-214AC (SMA)
- Molding compound meets UL 94 V-0 flammability rating, RoHS-compliant, halogen-free
- Terminals:** Tin plated leads, solderable per J-STD-002 and JESD22-B102
- Polarity:** Cathode line denotes the cathode end

Maximum Ratings (Ta=25

PARAMETER
Device marking code
Repetitive peak reverse voltage
Maximum RMS voltage
Maximum DC blocking voltage
Maximum average forward rectified current
Surge(non-repetitive)forward current @60Hz half-sine wave,1 cycle, Tj=25
Voltage rate of change (rated VR)
Storage temperature
Junction temperature

Specified

	SYMBOL	UNIT	SS58AQ	SS510AQ
			SS58A	SS510A
	V _{RRM}	V	80	100
	V _{RMS}	V	56	70
	V _{DC}	V	80	100
	I _O	A	5.0	
	I _{FSM}	A	120	
	dV/dt	V/μs	10000	
	T _{stg}		-55 ~+175	
	T _J		-55 ~+175	

Electrical Characteristics

Otherwise specified

Typical junction capacitance

	H _s &)	0.77	0.8	V
	T _J =125	-	200	
	V _R =4V,f=1MHz	150	-	pF



SS58AQ THRU SS510AQ

Thermal Characteristics $T_a=25$ Unless otherwise specified

PARAMETER	SYMBOL	UNIT	SS58AQ	SS510AQ
-----------	--------	------	--------	---------

Thermal resistance R_{J-A}

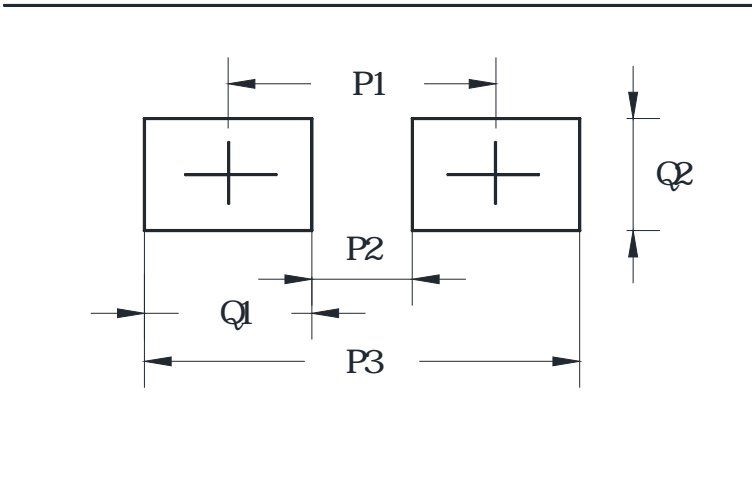


SS58AQ THRU SS510AQ

Outline Dimensions

DO-214AC(SMA)		
Dim	Min	Max
A	1.25	1.58
B	2.40	2.83
C	4.00	4.75
D	1.90	2.30
E	4.93	5.28
F	0.76	1.41
G	0.05	0.20
H	0.15	0.31
I	1.7	2.1

Suggested Pad Layout



DO-214AC(SMA)	
Dim	Millimeters
P1	4.00
P2	1.50
P3	6.50
Q1	2.50
Q2	1.70



SS58AQ THRU SS510AQ

Disclaimer

The information presented in this document is for reference only. Yangzhou Yangjie Electronic Technology Co., Ltd. reserves the

rights.